

Adirondack Rail Trail

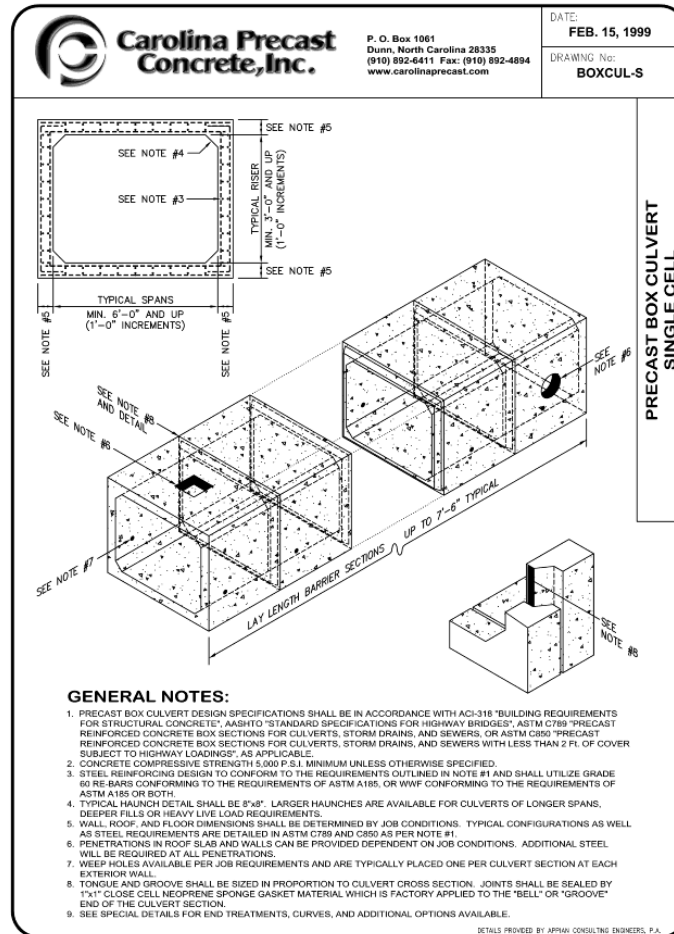
One Possible Alternative

Route 86 Crossing

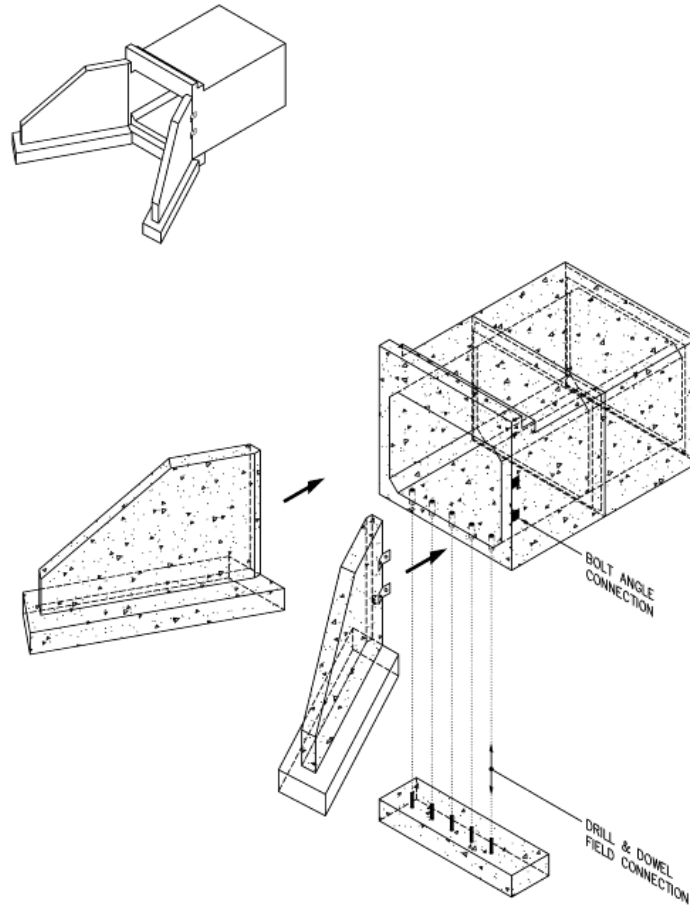
Example of Completed Underpass



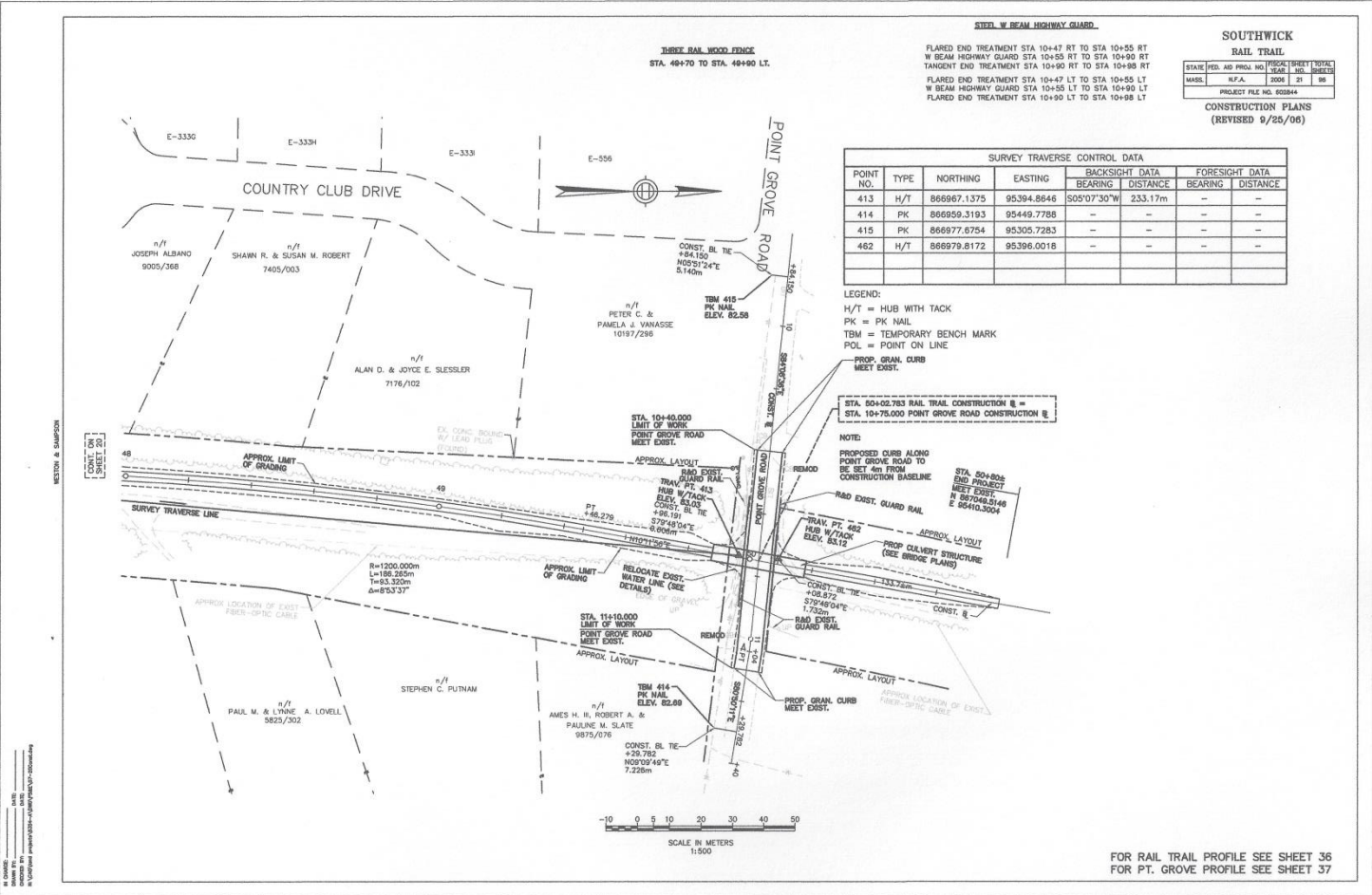
Precast Concert Culvert



Engineering Drawings



Engineering Drawing



Culvert Construction



Culvert Construction



Culvert Construction

